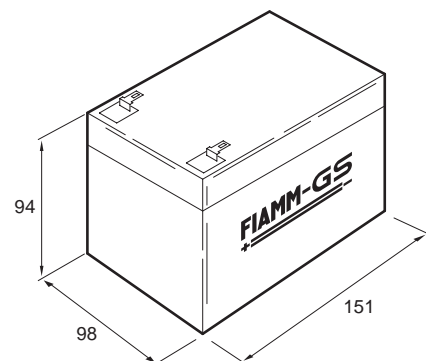


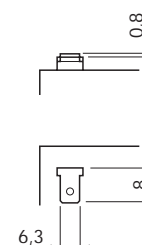
## Performance Specification for battery type FG 21202

## Battery dimensions (mm)

Nominal Voltage	12 Volts
Nominal Capacity	
at 20 hour rate (600 mA to 10,5 Volts)	12,0 Ah
at 10 hour rate (1,1 A to 10,5 Volts)	11,0 Ah
at 5 hour rate (1,98 A to 10,2 Volts)	9,9 Ah
at 1 hour rate (7,0 A to 9,0 Volts)	7,0 Ah
Dimension (mm)	Length=151, Width=98, Height=94
Approximate weight	4,2 kg
Energy Density	103,5 Wh/l
Specific Energy	34,2 Wh/kg
Internal Resistance (Fully charged battery)	14 mΩ
Maximum discharge current in 1 minute discharge	72 A
Maximum discharge current in 5 seconds discharge	180 A
Recommended charging tension (temperature=20°C)	
floating use: 13,5-13,8 V	cyclic use: 14,4-15,0 V
Thermal compensation factor	
floating use: -18mV/°C	cyclic use: -30mV/°C
Maximum charging current	3,0 A
Terminals	Flat lug type 6,3 mm
Vibration Test (2000 cycles/minute, 2,55 mm excursion, 2 hours)	No loss in capacity or performance
Shelf life - % of nominal capacity at 20°C	
1 month	97%
3 months	91%
6 months	83%
Storage temperature	-20°C to 40°C
Operative temperature Range	
Charge	0° C to 40°C
Discharge	-20°C to 50°C
Case material	Acrylonitrile-Butadiene-Styrene
	Standard: According to UL-94 HB
	Also available according to UL-94 V0
Life expectancy (Stand-by)	3 to 5 years according Eurobat standards



## Terminal type



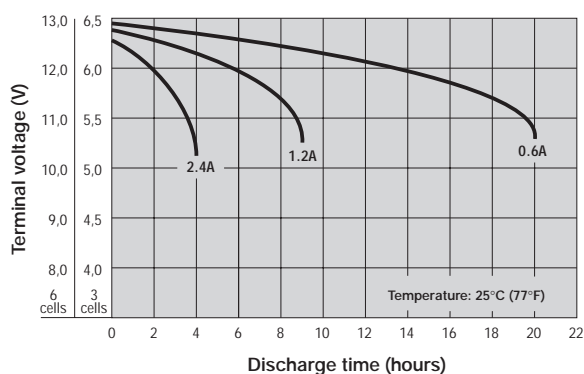
## Constant Power Discharge Table (Watt)

Time	5'	10'	15'	20'	30'	45'	1h	2h	3h	5h	10h	20h
1,8V/Cell	286,6	217,9	178,0	151,6	118,3	90,2	73,5	43,2	31,0	20,1	11,0	5,9
1,75V/Cell	309,1	230,0	186,0	157,4	121,9	92,4	75,0	43,8	31,4	20,3	11,1	5,9
1,7V/Cell	333,3	242,7	194,3	163,4	125,7	94,7	76,6	44,5	31,8	20,5	11,2	6,0
1,65V/Cell	345,9	249,3	198,5	166,5	127,5	95,7	77,2	44,7	31,9	20,6	11,2	6,0
1,6V/Cell	359,0	256,1	202,9	169,5	129,3	96,7	77,9	44,9	32,0	20,6	11,2	6,0

## Constant Current Discharge Table (Ampere)

Time	5'	10'	15'	20'	30'	45'	1h	2h	3h	5h	10h	20h
1,8V/Cell	39	27	20	16,8	12,5	9,2	7,3	4,1	2,9	1,86	1,01	0,60
1,75V/Cell	42	28	21	17,5	12,9	9,4	7,5	4,2	2,9	1,88	1,02	0,61
1,7V/Cell	45	29	22	18,2	13,3	9,7	7,6	4,2	3,0	1,89	1,03	0,64
1,65V/Cell	47	30	23	18,3	13,4	9,7	7,7	4,2	3,0	1,90	1,04	0,64
1,6V/Cell	48	31	23	18,5	13,5	9,7	7,7	4,3	3,0	1,92	1,04	0,64

## Discharge time vs. discharge current



## Discharge time vs. discharge current

